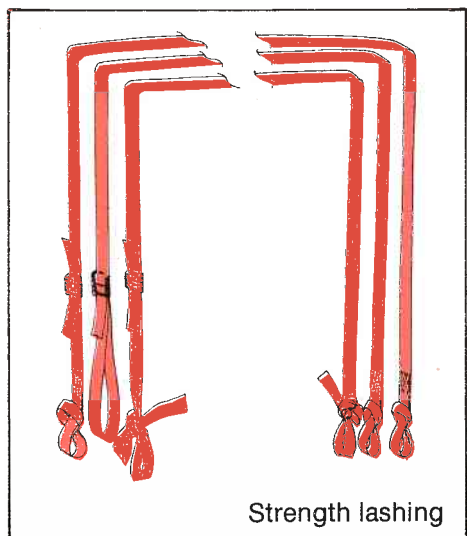
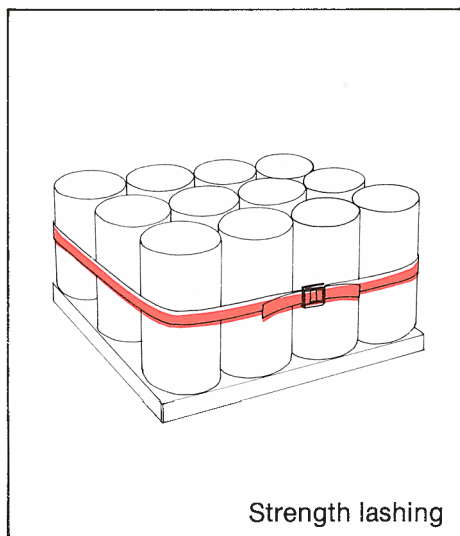


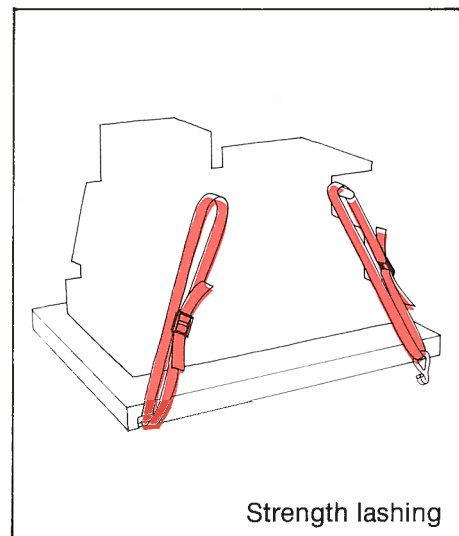
With Snap Lash you can build your own lashings for most purposes



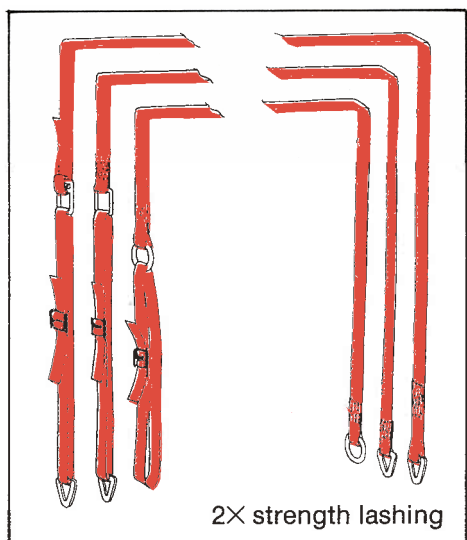
Strength lashing



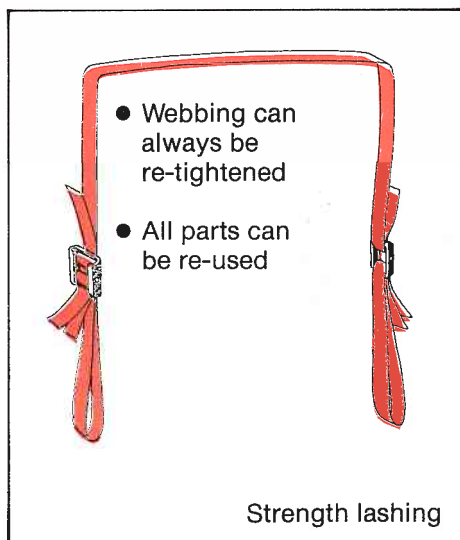
Strength lashing



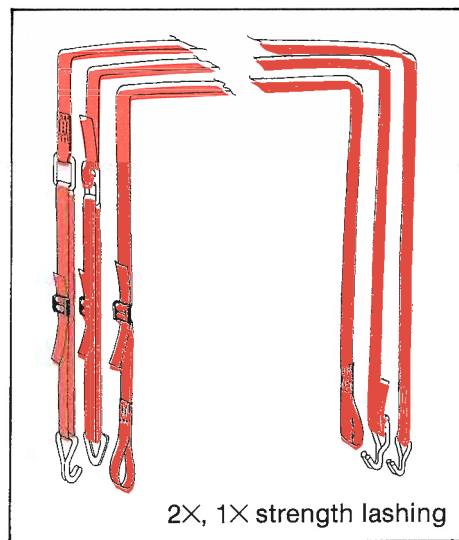
Strength lashing



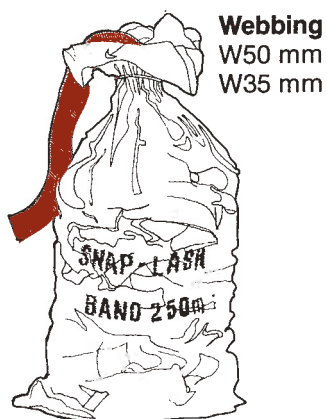
2X strength lashing



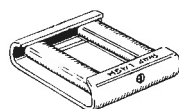
Strength lashing



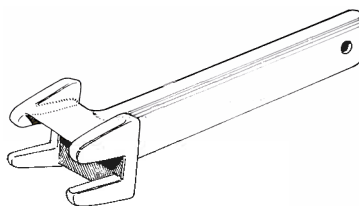
2X, 1X strength lashing



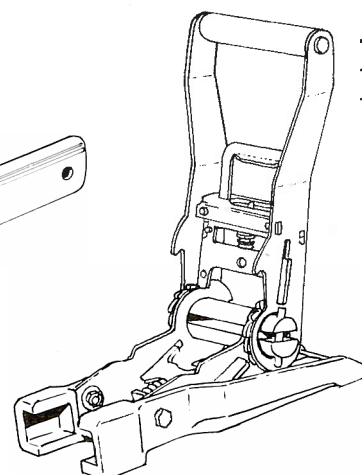
Webbing
W50 mm
W35 mm



Buckle
B50 mm
B35 mm



Opener
R50 mm
R35 mm



Tensioner
T50 mm
T35 mm